

総面積 6.08 ha

B地区

A地区

丸太筋工 L=10.0m

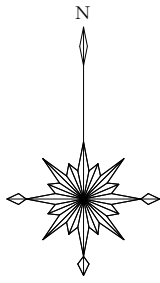
市場町

| 凡 例 | |
|-------|---|
| 施工範囲 | — |
| 標準地番号 | 1 |

| | | | |
|--------|-----------------------|------|-------|
| 委託業務名 | R6 吉林 総合改良 阿波市僧都 森林整備 | | |
| 路線名等 | 僧都地区 | | |
| 委託業務箇所 | 阿波市市場町僧都 | | |
| 図面名 | 平面図 | | |
| 縮尺 | 1/5,000 | 図面番号 | 1 - 3 |
| 会社名 | | | |
| 事業者名 | 徳島県農林水産部東部農林水産局 (吉野川) | | |

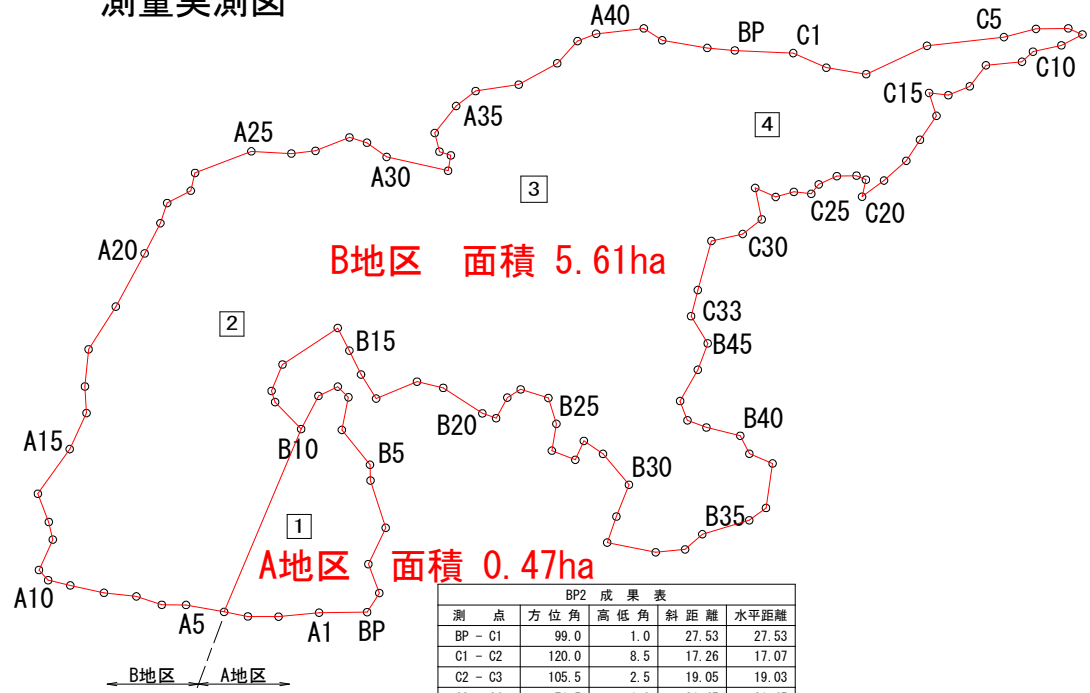
| 区域名 | 面積 | 標準地数 | 周長 |
|-------|--------|------|--------|
| 僧都A地区 | 0.47ha | 1箇所 | 0.21km |
| 僧都B地区 | 5.61ha | 3箇所 | 1.57km |
| 合計 | 6.08ha | 4箇所 | 1.78km |

稲荷



総面積
誤差 6.08 ha
1/107

測量実測図



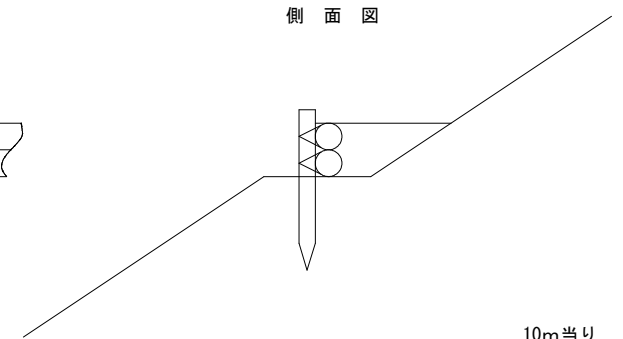
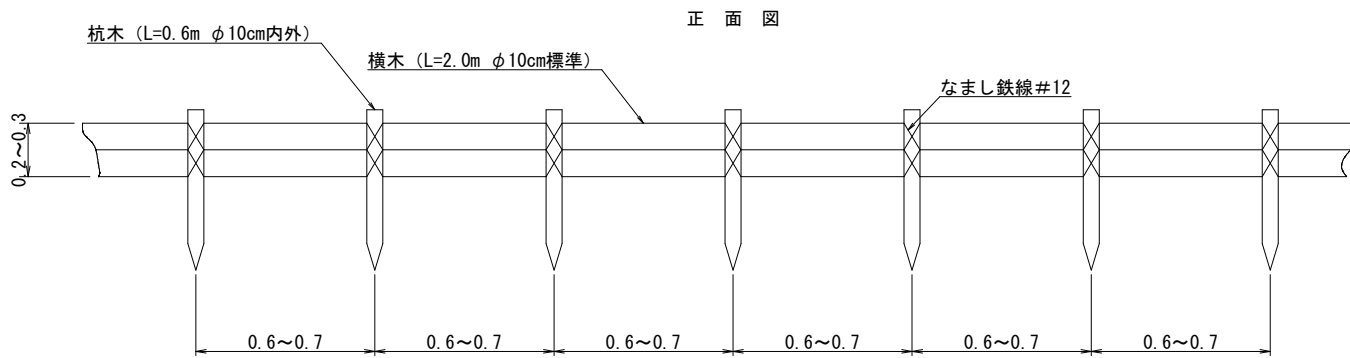
| BP1 成果表 | | | | |
|-----------|-------|-------|--------|--------|
| 測点 | 方位角 | 高低角 | 斜距離 | 水平距離 |
| BP - A1 | 275.0 | 20.5 | 23.84 | 22.33 |
| A1 - A2 | 270.0 | 26.0 | 21.07 | 18.94 |
| A2 - A3 | 276.0 | 25.0 | 15.73 | 14.26 |
| A3 - A4 | 286.5 | 30.5 | 13.04 | 11.24 |
| A4 - A5 | 286.0 | 31.0 | 20.95 | 17.96 |
| A5 - A6 | 276.0 | 32.0 | 13.28 | 11.26 |
| A6 - A7 | 294.0 | 28.5 | 14.13 | 12.42 |
| A7 - A8 | 282.0 | 26.0 | 16.85 | 15.14 |
| A8 - A9 | 288.0 | 20.5 | 17.08 | 16.00 |
| A9 - A10 | 289.0 | 5.0 | 10.59 | 10.55 |
| A10 - A11 | 324.0 | 18.0 | 6.71 | 6.38 |
| A11 - A12 | 31.0 | 10.0 | 15.80 | 15.56 |
| A12 - A13 | 353.5 | 14.0 | 8.63 | 8.37 |
| A13 - A14 | 345.0 | 13.0 | 14.41 | 14.04 |
| A14 - A15 | 42.0 | -3.0 | 25.63 | 25.59 |
| A15 - A16 | 31.5 | -3.0 | 18.56 | 18.53 |
| A16 - A17 | 3.0 | -0.5 | 12.35 | 12.35 |
| A17 - A18 | 12.0 | 8.0 | 17.53 | 17.36 |
| A18 - A19 | 39.0 | 16.0 | 24.56 | 23.61 |
| A19 - A20 | 35.0 | 15.5 | 29.30 | 28.23 |
| A20 - A21 | 34.0 | 13.5 | 16.35 | 15.90 |
| A21 - A22 | 25.0 | 14.0 | 10.19 | 9.89 |
| A22 - A23 | 69.0 | 8.0 | 12.61 | 12.49 |
| A23 - A24 | 20.0 | 14.5 | 8.79 | 8.51 |
| A24 - A25 | 75.5 | 0.0 | 28.27 | 28.27 |
| A25 - A26 | 99.5 | -2.0 | 18.89 | 18.88 |
| A26 - A27 | 90.0 | -5.5 | 11.47 | 11.42 |
| A27 - A28 | 75.0 | 0.0 | 17.14 | 17.14 |
| A28 - A29 | 113.0 | -9.0 | 8.72 | 8.61 |
| A29 - A30 | 132.0 | -13.0 | 11.74 | 11.44 |
| A30 - A31 | 109.0 | -13.0 | 30.50 | 29.72 |
| A31 - A32 | 16.5 | 18.5 | 7.66 | 7.26 |
| A32 - A33 | 294.0 | 16.0 | 5.80 | 5.58 |
| A33 - A34 | 352.0 | 15.5 | 9.25 | 8.91 |
| A34 - A35 | 45.0 | 7.0 | 16.23 | 16.11 |
| A35 - A36 | 59.0 | -3.5 | 11.49 | 11.47 |
| A36 - A37 | 88.0 | -6.0 | 20.60 | 20.49 |
| A37 - A38 | 67.5 | -2.0 | 20.66 | 20.65 |
| A38 - A39 | 49.0 | 0.0 | 14.06 | 14.06 |
| A39 - A40 | 75.0 | -8.5 | 9.46 | 9.36 |
| A40 - A41 | 90.0 | -3.5 | 22.63 | 22.59 |
| A41 - A42 | 129.0 | -8.0 | 10.44 | 10.34 |
| A42 - A43 | 106.0 | -14.5 | 22.21 | 21.50 |
| A43 - E.P | 101.5 | -6.0 | 13.11 | 13.04 |
| 合計 | | | 698.31 | 673.75 |

| BP3 成果表 | | | | |
|-----------|-------|-------|--------|--------|
| 測点 | 方位角 | 高低角 | 斜距離 | 水平距離 |
| BP - B1 | 38.0 | -9.0 | 10.77 | 10.64 |
| B1 - B2 | 345.0 | 12.0 | 14.91 | 14.58 |
| B2 - B3 | 31.0 | -22.0 | 20.37 | 18.89 |
| B3 - B4 | 348.0 | 19.5 | 24.86 | 23.43 |
| B4 - B5 | 4.0 | 12.0 | 7.59 | 7.42 |
| B5 - B6 | 327.0 | 25.5 | 23.45 | 21.17 |
| B6 - B7 | 17.0 | 25.5 | 17.34 | 15.65 |
| B7 - B8 | 321.0 | 27.5 | 7.99 | 7.09 |
| B8 - B9 | 251.0 | 10.5 | 10.25 | 10.08 |
| B9 - B10 | 214.0 | 14.5 | 17.99 | 17.42 |
| B10 - B11 | 322.0 | 32.0 | 20.87 | 17.70 |
| B11 - B12 | 348.0 | 36.5 | 6.87 | 5.52 |
| B12 - B13 | 28.0 | 10.0 | 13.65 | 13.44 |
| B13 - B14 | 62.0 | 5.0 | 31.04 | 30.92 |
| B14 - B15 | 159.0 | -28.5 | 13.40 | 11.78 |
| B15 - B16 | 160.0 | -34.5 | 14.99 | 12.35 |
| B16 - B17 | 154.0 | -35.0 | 16.06 | 13.16 |
| B17 - B18 | 73.0 | 2.5 | 20.62 | 20.60 |
| B18 - B19 | 109.0 | 19.5 | 13.28 | 12.52 |
| B19 - B20 | 129.0 | 1.0 | 21.66 | 21.66 |
| B20 - B21 | 115.0 | 1.5 | 6.76 | 6.76 |
| B21 - B22 | 34.0 | 24.0 | 12.06 | 11.02 |
| B22 - B23 | 64.0 | 4.0 | 7.32 | 7.30 |
| B23 - B24 | 113.0 | -44.0 | 18.71 | 13.46 |
| B24 - B25 | 169.0 | -42.0 | 16.88 | 12.54 |
| B25 - B26 | 196.0 | -33.0 | 15.08 | 12.65 |
| B26 - B27 | 117.0 | -20.5 | 12.44 | 11.65 |
| B27 - B28 | 30.0 | 45.0 | 13.75 | 9.72 |
| B28 - B29 | 130.0 | 14.5 | 11.06 | 10.71 |
| B29 - B30 | 146.0 | -9.5 | 18.95 | 18.69 |
| B30 - B31 | 208.0 | -35.0 | 19.42 | 15.91 |
| B31 - B32 | 206.0 | -35.0 | 15.70 | 12.86 |
| B32 - B33 | 107.0 | -13.0 | 23.57 | 22.97 |
| B33 - B34 | 90.0 | 0.0 | 13.75 | 13.75 |
| B34 - B35 | 54.0 | -3.0 | 10.74 | 10.73 |
| B35 - B36 | 79.0 | -23.0 | 24.78 | 22.81 |
| B36 - B37 | 59.0 | -15.0 | 10.07 | 9.73 |
| B37 - B38 | 14.0 | 6.5 | 21.27 | 21.13 |
| B38 - B39 | 299.0 | 39.5 | 15.39 | 11.88 |
| B39 - B40 | 339.0 | 27.5 | 10.73 | 9.52 |
| B40 - B41 | 290.0 | 40.5 | 21.60 | 16.42 |
| B41 - B42 | 297.0 | 40.0 | 12.47 | 9.55 |
| B42 - B43 | 345.0 | 25.5 | 10.79 | 9.74 |
| B43 - B44 | 35.0 | 1.5 | 16.85 | 16.84 |
| B44 - E.P | 26.0 | 2.5 | 13.25 | 13.24 |
| 合計 | | | 701.35 | 637.60 |

| BP2 成果表 | | | | |
|-----------|-------|-------|--------|--------|
| 測点 | 方位角 | 高低角 | 斜距離 | 水平距離 |
| BP - C1 | 99.0 | 1.0 | 27.53 | 27.53 |
| C1 - C2 | 120.0 | 8.5 | 17.26 | 17.07 |
| C2 - C3 | 105.5 | 2.5 | 19.05 | 19.03 |
| C3 - C4 | 71.5 | 1.0 | 31.45 | 31.45 |
| C4 - C5 | 90.0 | 5.5 | 36.59 | 36.42 |
| C5 - C6 | 82.0 | 4.5 | 15.57 | 15.52 |
| C6 - C7 | 95.5 | 7.0 | 15.34 | 15.23 |
| C7 - C8 | 119.5 | -1.0 | 7.26 | 7.26 |
| C8 - C9 | 248.0 | -22.0 | 11.94 | 11.07 |
| C9 - C10 | 263.0 | -5.0 | 13.60 | 13.55 |
| C10 - C11 | 233.0 | -25.5 | 7.73 | 6.98 |
| C11 - C12 | 270.0 | 4.0 | 16.87 | 16.83 |
| C12 - C13 | 223.0 | -32.5 | 14.74 | 12.43 |
| C13 - C14 | 253.0 | -22.0 | 11.67 | 10.82 |
| C14 - C15 | 282.5 | 16.0 | 9.36 | 9.00 |
| C15 - C16 | 168.0 | 9.5 | 11.52 | 11.36 |
| C16 - C17 | 220.0 | -13.0 | 13.98 | 13.62 |
| C17 - C18 | 218.5 | -10.5 | 11.93 | 11.73 |
| C18 - C19 | 234.0 | -0.5 | 13.96 | 13.96 |
| C19 - C20 | 239.0 | -11.0 | 12.95 | 12.71 |
| C20 - C21 | 19.0 | 35.5 | 9.94 | 8.09 |
| C21 - C22 | 299.5 | 38.5 | 6.05 | 4.73 |
| C22 - C23 | 274.0 | -24.0 | 10.00 | 9.14 |
| C23 - C24 | 251.0 | -37.0 | 11.63 | 9.29 |
| C24 - C25 | 224.0 | -35.5 | 6.91 | 5.63 |
| C25 - C26 | 282.0 | -24.0 | 8.90 | 8.13 |
| C26 - C27 | 260.0 | -39.5 | 11.39 | 8.79 |
| C27 - C28 | 299.5 | -15.0 | 10.75 | 10.38 |
| C28 - C29 | 174.0 | -28.5 | 17.25 | 15.16 |
| C29 - C30 | 238.0 | -34.0 | 13.50 | 11.19 |
| C30 - C31 | 263.0 | 13.5 | 15.35 | 14.93 |
| C31 - C32 | 201.0 | -5.0 | 24.03 | 23.94 |
| C32 - C33 | 200.0 | -5.0 | 12.74 | 12.69 |
| C33 - E.P | 154.5 | -30.0 | 17.36 | 15.03 |
| 合計 | | | 496.10 | 470.69 |

| | | | |
|--------|-----------------------|------|-------|
| 委託業務名 | R6 吉林 総合改良 阿波市僧都 森林整備 | | |
| 路線名等 | 僧都地区 | | |
| 委託業務箇所 | 阿波市市場町僧都 | | |
| 図面名 | 測量実測図 | | |
| 縮尺 | 1/2,500 | 図面番号 | 2 - 3 |
| 会社名 | | | |
| 事業者名 | 徳島県農林水産部東部農林水産局<吉野川> | | |

丸太筋工（2本筋）



| | 10m当り |
|---------------------|-------|
| 横木 (L=2.0m φ10cm標準) | 10本 |
| 杭木 (L=0.6m φ10cm内外) | 15本 |
| 鉄線 (なまし #12) | 1.0kg |

| | | | |
|--------|-----------------------|------|-------|
| 委託業務名 | R6 吉林 総合改良 阿波市僧都 森林整備 | | |
| 路線名等 | 僧都地区 | | |
| 委託業務箇所 | 阿波市市場町僧都 | | |
| 図面名 | 定規図 | | |
| 縮尺 | 1/20 | 図面番号 | 3 - 3 |
| 会社名 | | | |
| 事業者名 | 徳島県農林水産部東部農林水産局<吉野川> | | |